



Optimax XXL

GRAF industrial filter technology

Optimax XXL industrial filter external

- Provides over 95% water yield
- Self-cleaning filter principle
- Stainless steel filter insert, mesh width 0.35 mm / 0.01"
- For roof areas up to 6000 m² / 65,000 ft²
- Patented filter technology
- Flexible connection possibilities (DN 300 / DN 400 / 12" / 16")
- Height offset between inlet and outlet only 45 mm / 1.7"
- Cleaning unit included



Article outline

Description	Order no.
Optimax XXL industrial filter external	340096
Connection kit DN 300	340097
Connection kit 12"	340098
Connection kit DN 400	340099
Connection kit 16"	340100

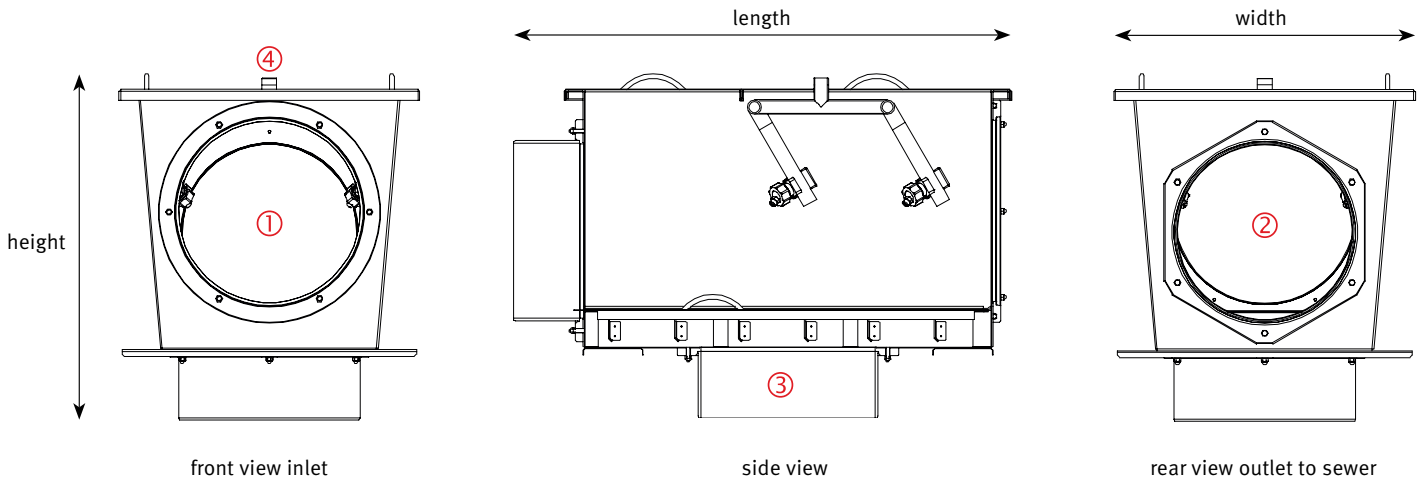




Optimax XXL

GRAF industrial filter technology

Measurements



Technical data

Description	Connection DN 300 / 12"	Connection DN 400 / 16"
max. roof area	3000 m ² 32300 ft ²	6000 m ² 65000 ft ²
max. flow	100 l/sec 27 US gal./sec	200 l/sec 53 US gal./sec
water yield	over 95 %	over 95 %
flow sprayer	80 l/min 21 US gal.	80 l/min 21 US gal.
length	1125 mm 44,3"	1125 mm 44,3"
width	675 mm 26,5"	675 mm 26,5"
height	780 mm 30,7"	780 mm 30,7"
height offset inlet and outlet	45 mm 1,7"	45 mm 1,7"
① connection inlet	DN 300 12"	DN 400 16"
② connection to sewer	DN 300 12"	DN 400 16"
③ connection filtered water	DN 300 12"	DN 400 16"
④ connection cleaning unit	1"	1"

